



Thanks for choosing our R16.

Since we've pre-assembled the lamps, installing them is done in a few simple steps.

Please have an electrician do the electrical installation part.

Detailed instructions can be found online on our website [www.analogue.nl](http://www.analogue.nl)

Design by HeijltjesAkkaya

Notice: If you encounter anything unusual during the installation, or if the item differs from the description in this manual, we recommend to stop the installation process and contact us directly.

## OBJECT AND MOMENTUM

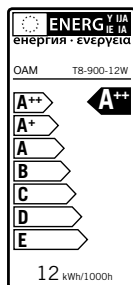
### Object and Momentum B.V.

Keerpunt 10, 1013 DK  
Amsterdam, the Netherlands

tel +31 20 261 76 68

email [info@objectandmomentum.com](mailto:info@objectandmomentum.com)

web [www.analogue.nl](http://www.analogue.nl)



Product: LED Tubelight luminary

Model / Type: R16

Power: 220 V

Production year: 2020

2014/35/EU - Low voltage directive

2014/30/EU - Electromagnetic compatibility

2011/65/EU - RoHS



RoHS



## Safety Instructions

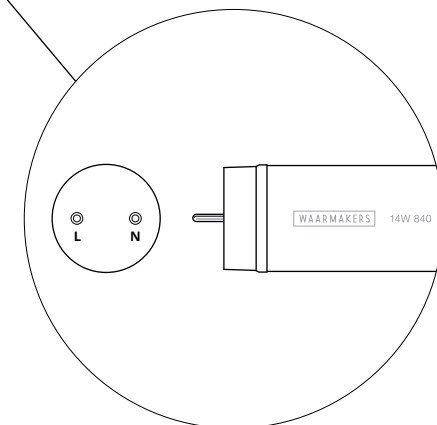


### IMPORTANT

We recommend installation of this pendant lamp be performed by a licensed electrician. Plugs for mounting the lamp are not included. CAUTION!

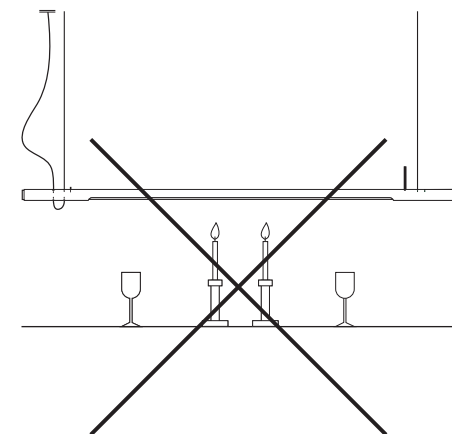
Always connect the side with printed info to power. Look for the sticker with L + N sign.

DO NOT insert the other end of the LED tube in the fitting connected to power.

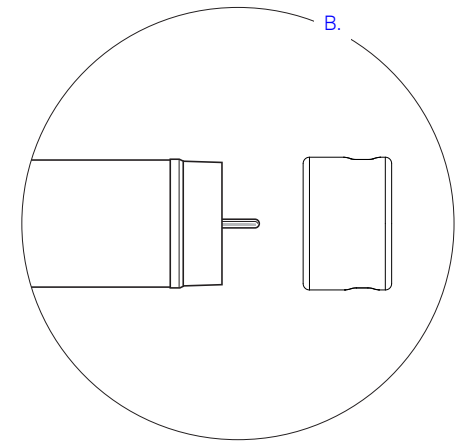
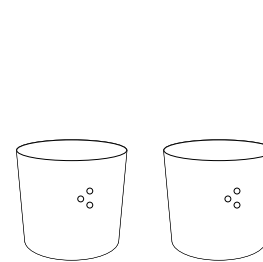
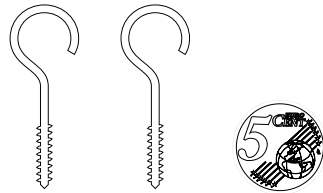
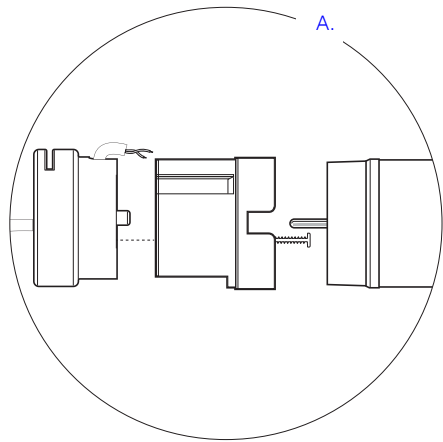
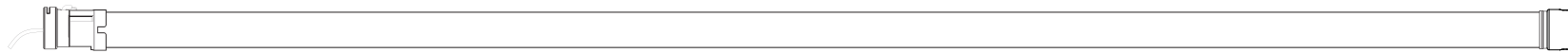
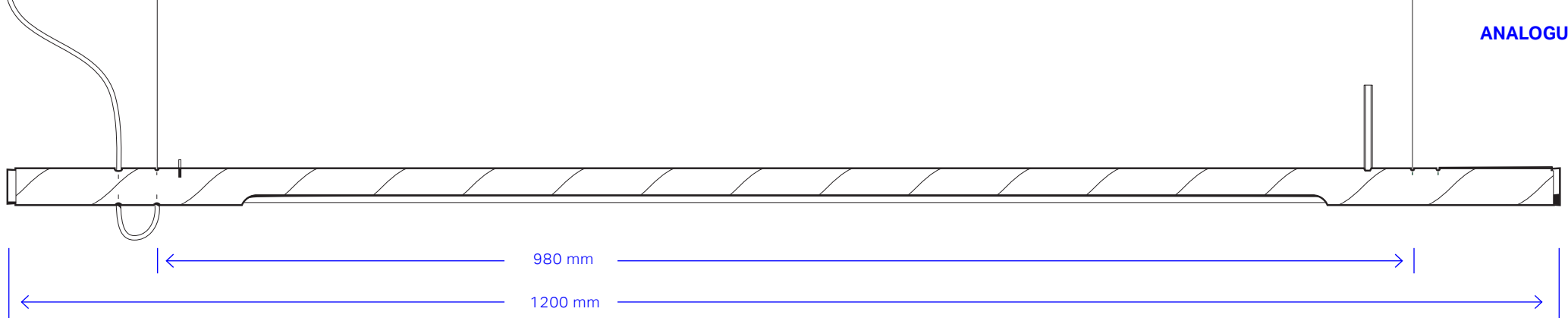


Clean using a dry or damp cloth. Do not soak or immerse in water.

**PLEASE BE CAREFUL WITH CANDLES AND OTHER OPEN HEAT SOURCES.**



**BEFORE STARTING,  
TURN OFF MAIN POWER.**



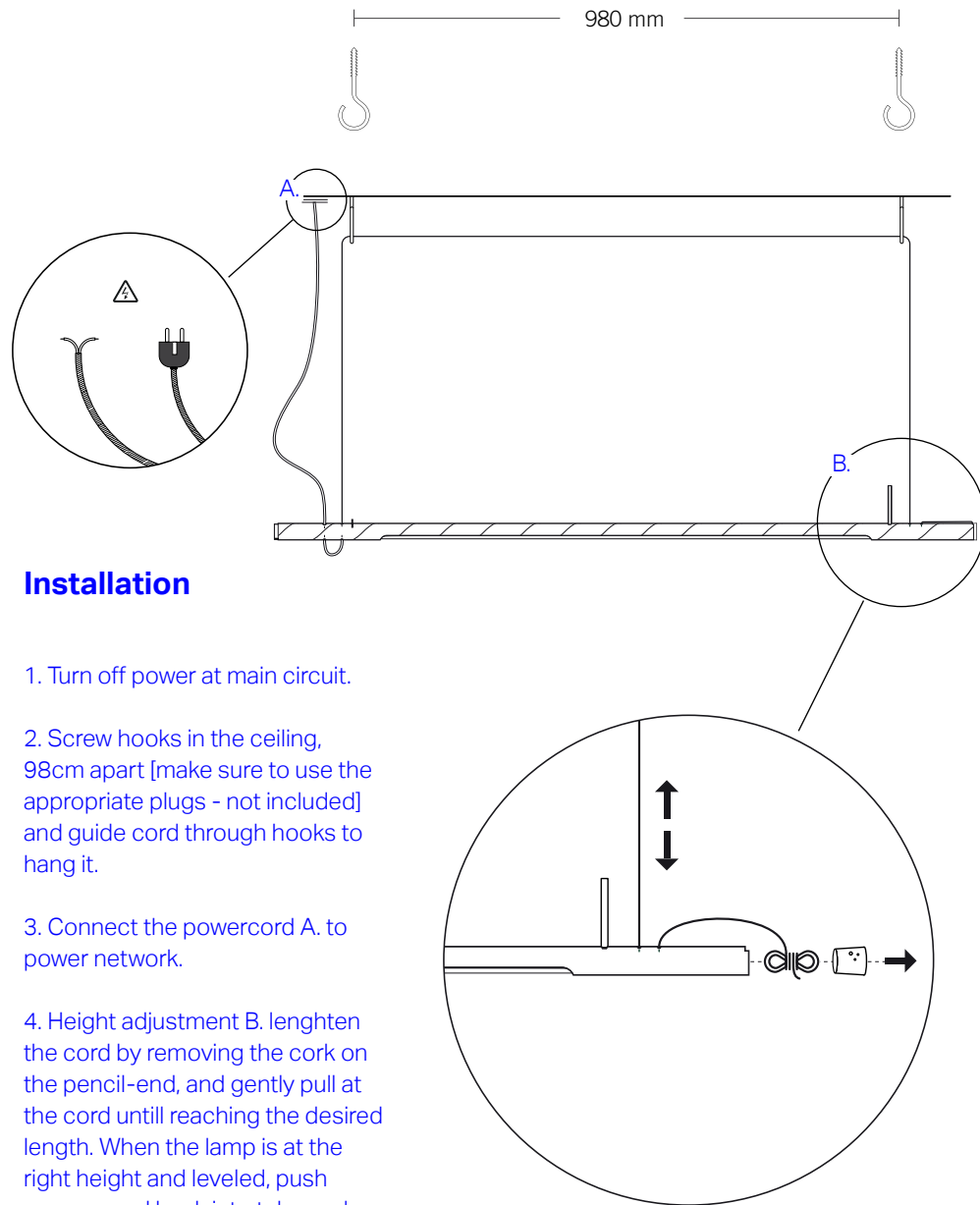
## Overall dimensions

1200 x 32 mm  
 Powercord 2m  
 Pendant Cord length 4m

## Items included

Light Fixture:	Cardboard Tube Ø3,2x120cm
Lamp End:	2x Conical Cork
Pendant Cord:	4m Cotton cord
Power Cord:	2m Black cord
LED tube:	900mm LED T8 3000K / 4000K
Lampholder fix B:	Including pull relief & 5 Cent Coin
G13 Lamp holder:	Push-Fitting T8 (fig. B.2)
Lampholder fix A:	Lampholder Dummy & fixation hexagon pencil
Screw Hooks:	2x M4 coated black

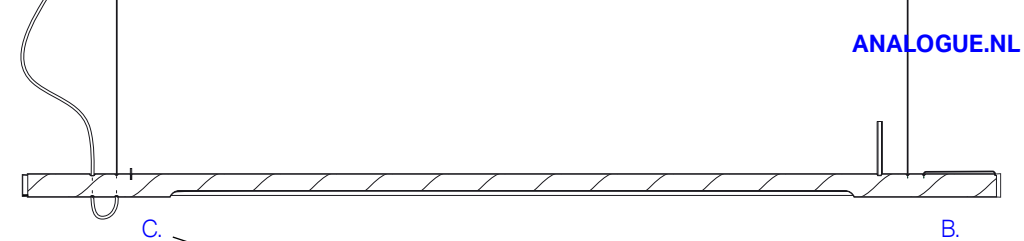
Pre-assembled lamps come with a pencil and a 5 cent coin.



## Installation

1. Turn off power at main circuit.
2. Screw hooks in the ceiling, 98cm apart [make sure to use the appropriate plugs - not included] and guide cord through hooks to hang it.
3. Connect the powercord A. to power network.
4. Height adjustment B. lengthen the cord by removing the cork on the pencil-end, and gently pull at the cord until reaching the desired length. When the lamp is at the right height and leveled, push excess cord back into tube and close with cork.

**WARNING:** To avoid the risk of suffocation, keep cork (b1) out of reach of small children and animals.



## Replacing the LED

1. First turn off main power.
2. Remove cork at side B. 'pencil-end' of the fixture, and pull out excessive cord.
3. Carefully pull out pencil in an upward motion
4. Click LED loose from fitting. Use your thumb to apply pressure at opening to the LED Tube in direction shown, and slide LED Tube approx. 1 cm out while holding the R16, until feeling it 'click' loose.
5. Rotate LED inside the tube. Apply pressure using your thumb to rotate the LED inside the tube 90 degrees. Now the LED can be pushed out side of the tube
6. Pull the pencil-fitting off from the end of the LED tube and reattach fitting to the new to be installed LED Tube. **CAUTION!** use the non-powered end without the L+N singage
7. Re-insert the LED Tube into the cardboard fixture. Rotate the TUBE (as in step 5) so that it can pass the rope and enter the tube. Push until it clicks into the powered fitting with the coin. **CAUTION!** Only connect L + N side of tube to power (FIGURE C)
8. Press pencil back into pencil-hole in the fitting to fix the lamp inside the cardboard tube. Push cord back in and close with the cork.

