

INSTALLATION MANUAL



Thanks for choosing Saturn.

Since we've pre-assembled the lamps,  
installing them is done in a few simple steps.

Please have an electrician  
do the electrical installation part.

Design by HeijltjesAkkaya

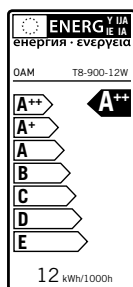
Notice: If you encounter anything unusual during the installation, or if the item differs from the description in this manual, we recommend to stop the installation process and contact us directly.

## OBJECT AND MOMENTUM

### Object and Momentum B.V.

Keerpunt 10, 1013 DK  
Amsterdam, the Netherlands

tel +31 20 261 76 68  
email [info@objectandmomentum.com](mailto:info@objectandmomentum.com)  
web [www.analogue.nl](http://www.analogue.nl)

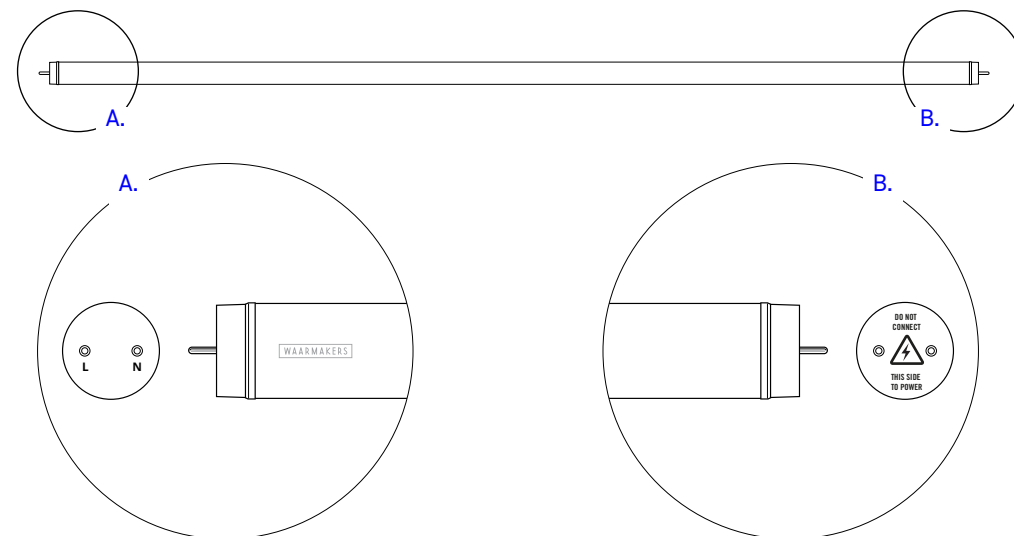


Product: LED Tubelight luminary  
Model / Type: Saturn / 2020.1  
Power: 220-240 V  
Production year: 2020

2014/35/EU - Low voltage directive  
2014/30/EU - Electromagnetic compatibility  
2011/65/EU - RoHS



RoHS



## SAFETY INSTRUCTIONS



As you unpack and prepare for assembly, place the contents on a carpeted or padded area to protect them from damage.

Note: 2 people are required to safely install this product.

**IMPORTANT:**  
Installation of this wall mounted lamp should be performed by a licensed electrician. Plugs and screws for mounting the lamp are not included.

**CAUTION!** Always connect the side with printed info to power. Look for the sticker with L + N sign (fig. A).

DO NOT insert the other end of the LED tube in the fitting connected to power (fig. B).

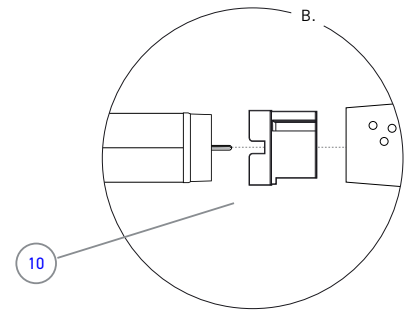
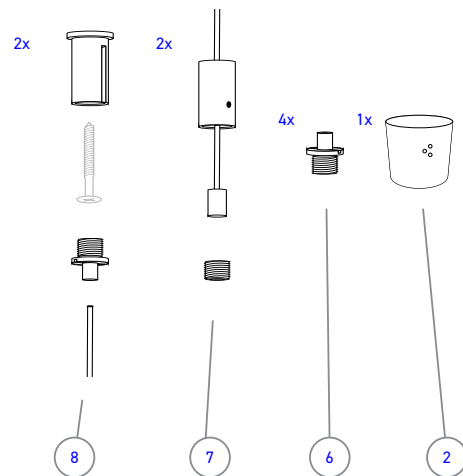
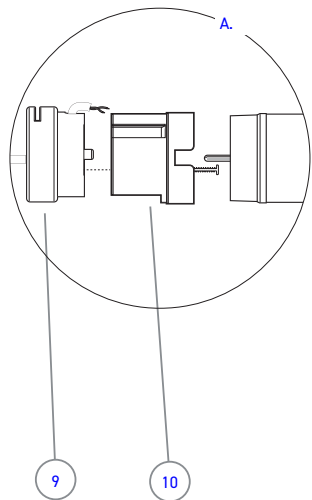
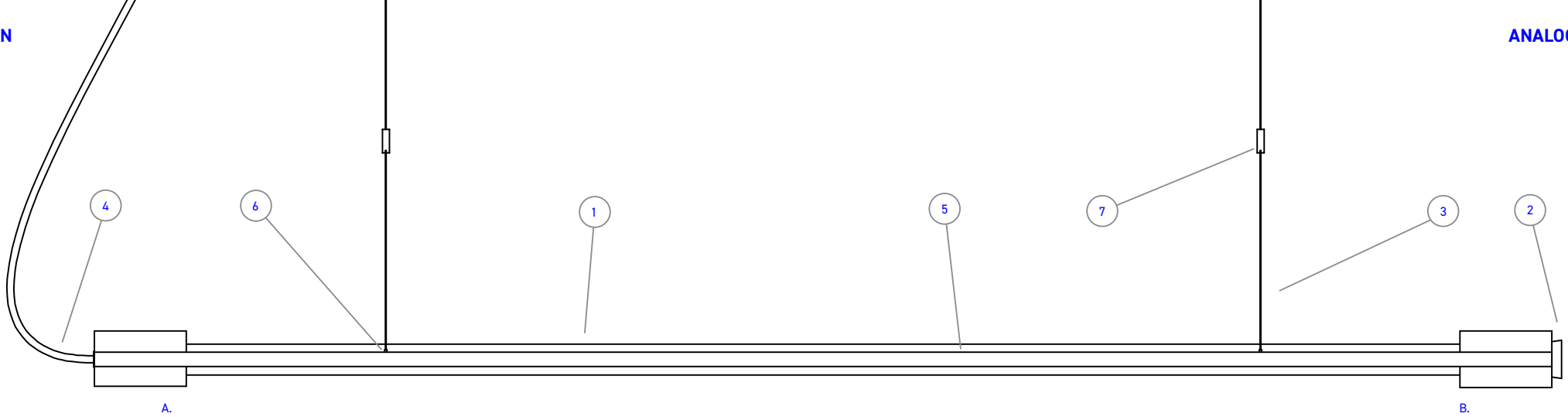
IP20 [this lamp is not moisture or water resistant].

Clean using a dry or damp cloth. Do not

soak or immerse in water.

To maintain the wood in best condition, oil once every 5 years, or whenever the wood looks particularly dry

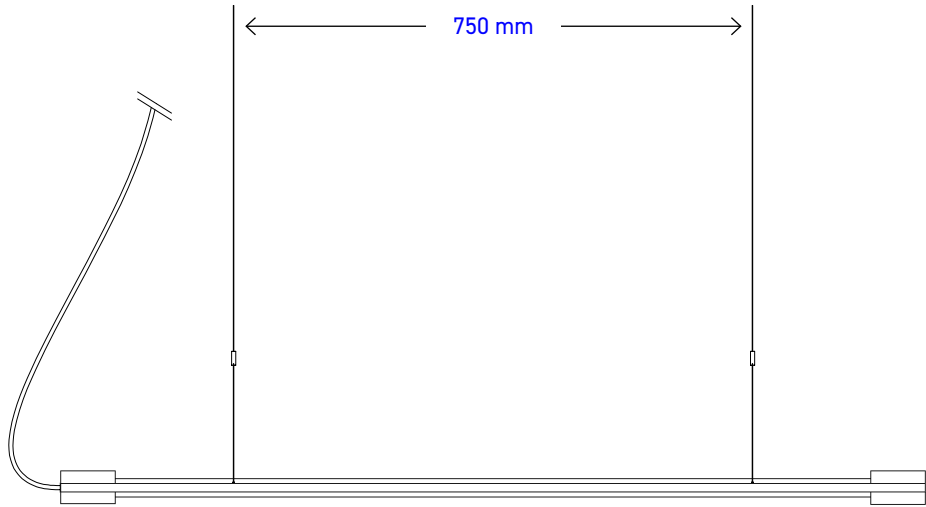
**WARNING: TO AVOID THE RISK OF SUFFOCATION, KEEP THE CORK OUT OF REACH OF SMALL CHILDREN AND ANIMALS.**



#	Item	Description	QTY.
1	Light fixture	125 cm Wood (Elm, Walnut, Ash)	1
2	Lamp end	Conical cork	1
3	Pendant cord	0,8mm x 2m, stainless steel	1
4	Power cord	2x0,75mm Ø5,5mm x 3m	1
5	LED tube	1200mm T8 3000K Glass	1
6	Cable holder M6	M6, with coupling thread 6mm long, stainless steel	4
7	Cable Y coupler	With lateral bore Ø6mm x 17mm, stainless steel	2
8	Ceiling attachment	M8 with slit & holder, Ø11mm, height 22mm, mounting hole M4, stainless steel	2
9	Pull relief B		1
10	G13 lamp holder	Push-fitting T8	2



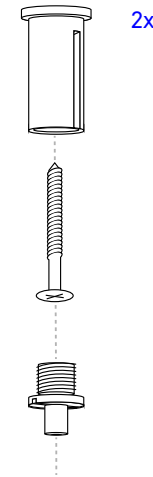
BEFORE STARTING,  
TURN OFF MAIN POWER.



1.

Drill two holes 750 mm apart.

[make sure to use the appropriate plugs - not included]



2.

Mount the ceiling attachment.  
Unscrew cap and fix the holder to the ceiling using a screw.  
Screw cap to close the holder.

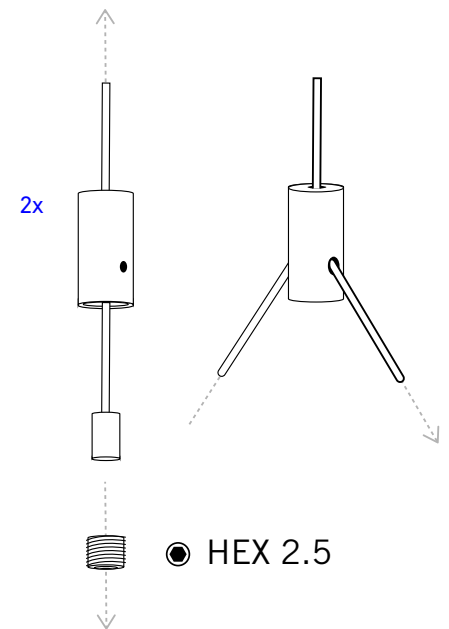
[screws not included]

3.

Prepare Y-coupling part.

A. Unscrew hex screw and slide the long cord all the way through the bottom hole, with the cylinder sleeve oriented to the bottom. Fix with hex screw.

B. Next, slide the smaller cord through the lateral bore (side holes)



2x

● HEX 2.5

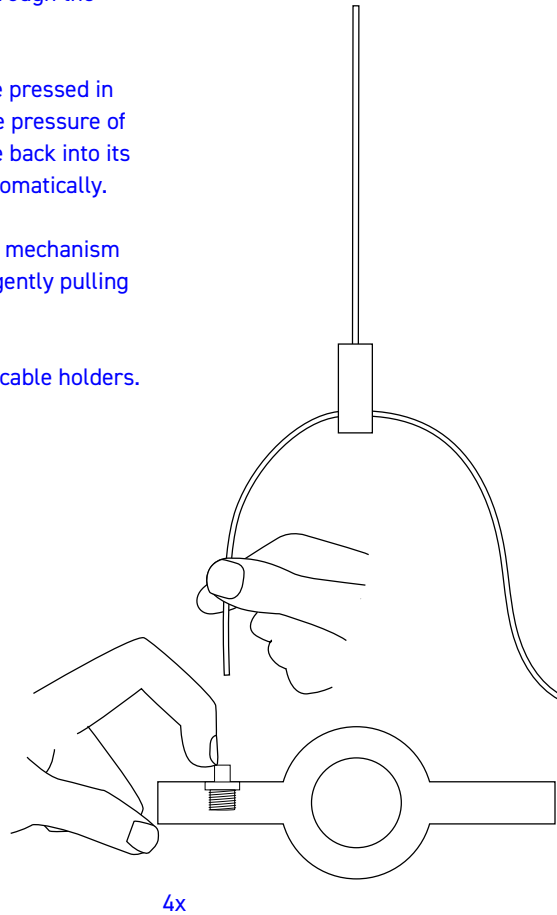
4.

Attach the lamp to the pendant cord system. Press the nozzle down using the tip of your finger, and slide the cord through the feeder channel.

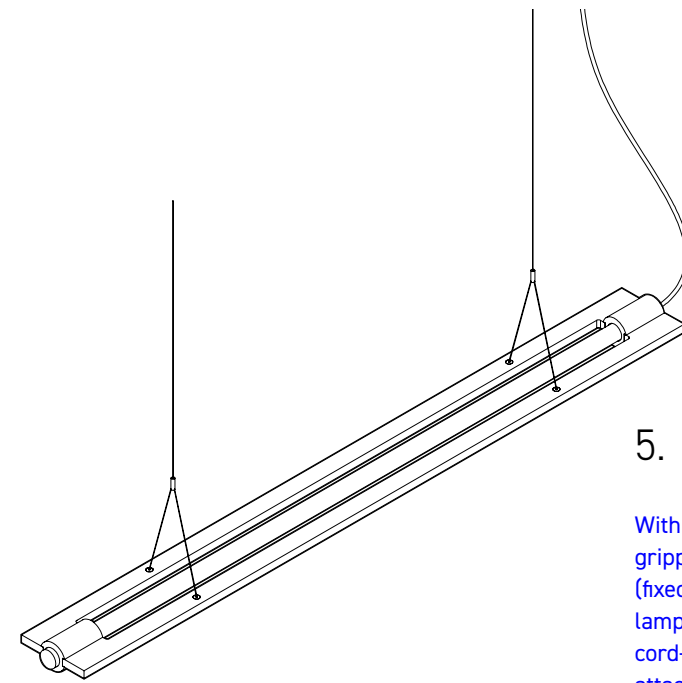
The nozzle should be pressed in with ease against the pressure of the spring, and move back into its original position automatically.

Check if the gripping mechanism is set into action by gently pulling the cord.

Repeat for the other cable holders.



10



5.

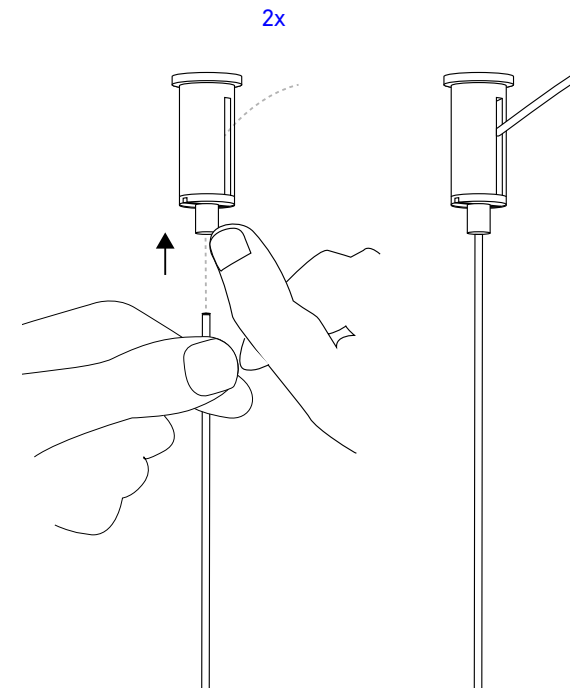
With all four cord-ends gripped inside the holders (fixed in the lamp) lift the lamp and fix the 2 vertical cord-ends inside the 2 ceiling attachments.

Press the nozzle in and slide the cord through the feeder channel, make sure the cord is fed sufficiently through the holder so that the visible cord comes out at a length min 2,5 cm.

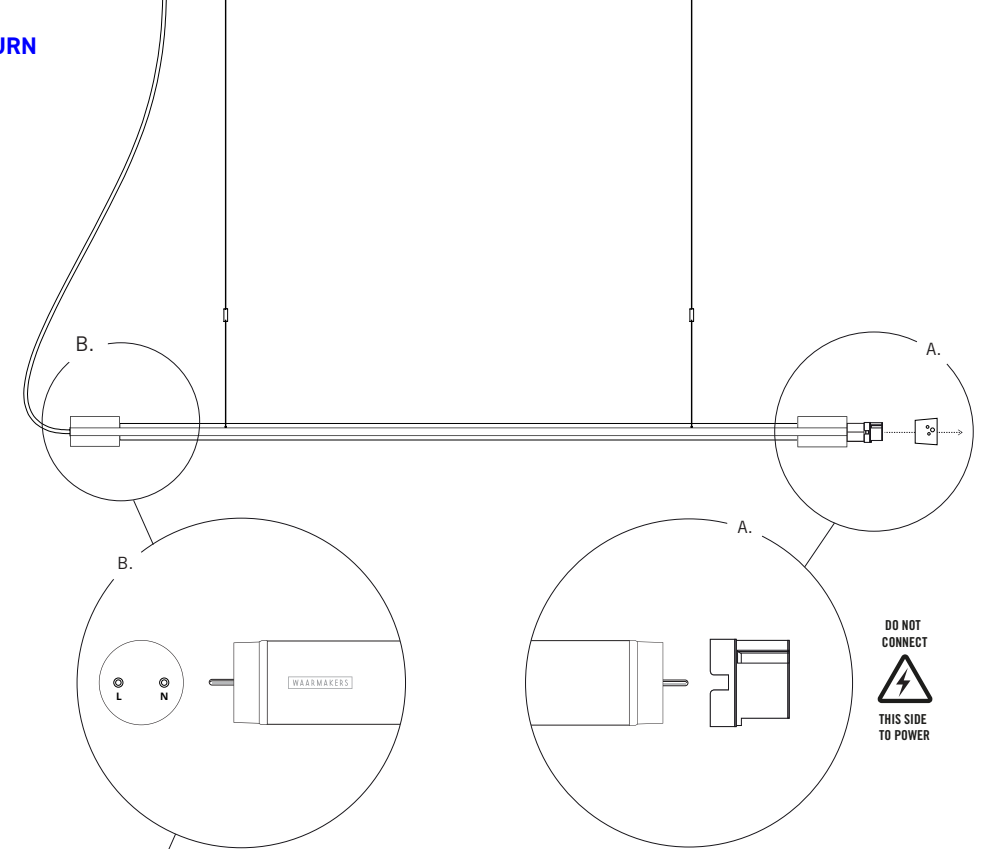
Check if the gripping mechanism is set into action by gently pulling the cord.

When cutting the wire to length, the ends need to be once again sealed (tinned, welded, with shrink sleeving or the like).

With the lamp hanging at the correct height, connect cord to power.



11



## Replacing the LED tube

1. Shut off the electrical power
2. Pull out cork and take out the LED tube.  
Carefully pull at powered end (B) while stopping the fitting from coming out of the hole (side B).
3. Pull the fitting off the LED tube and reattach the fitting to the new to be installed LED Tube.
4. CAUTION! LOOK FOR L+N STICKER. CONNECT ONLY THIS SIDE TO POWER (FIGURE A)
5. Re-insert the LED Tube through hole (side B) and fix it in the fixture until it clicks into the powered fitting (B).
6. Re-insert cork.