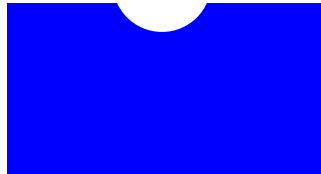


INSTALLATION MANUAL



Thanks for choosing Recast.

Since we've pre-assembled the lamps, installing them is done in a few simple steps.

Please have an electrician do the electrical installation part.

Design by HeijltjesAkkaya

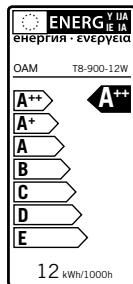
Notice: If you encounter anything unusual during the installation, or if the item differs from the description in this manual, we recommend to stop the installation process and contact us directly.

OBJECT AND MOMENTUM

Object and Momentum B.V.

Keerpunt 10, 1013 DK
Amsterdam, the Netherlands

tel +31 20 261 76 68
email info@objectandmomentum.com
web www.analogue.nl



Product: LED tubelight luminary
Model / Type: Recast / 2020.1
Power: 220-240 V
Production year: 2019

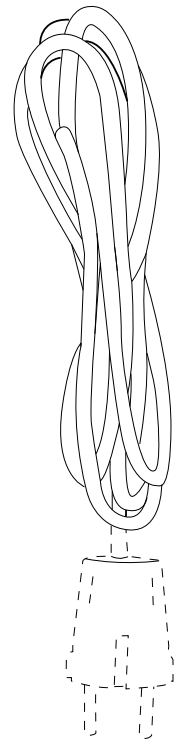
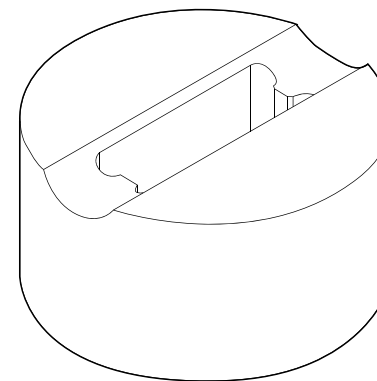
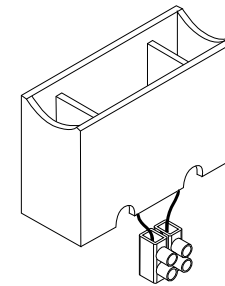
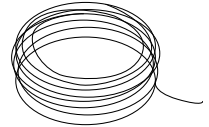
2014/35/EU - Low voltage directive
2014/30/EU - Electromagnetic compatibility
2011/65/EU - RoHS



RoHS

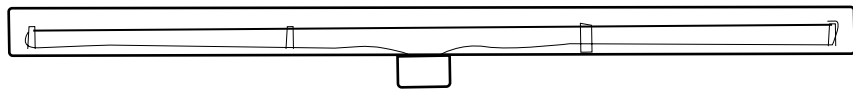
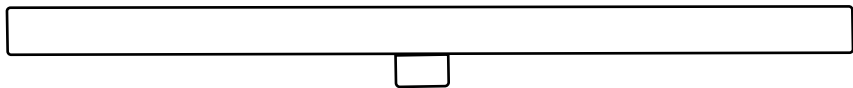
Components

Lamp body	
Lamp fitting:	white tube light fitting including wire terminal on request
Power cable:	
Safety cord:	used for installation [direct wall mount]



LED Tube-

	OSRAM	SEGULA
Glass Finish:	OPAL glass	CLEAR or MATTE OPAL glass
LED tube:	T28.5	T28.5
Power consumption:	7 W	12 W
Voltage:	220-240 V	220-240 V
Luminous flux:	470 lm	560 lm
Length:	500 mm	500 mm
Diameter:	30 mm	30 mm
Color Temperature:	2700K	2200K
Color Rendering Index:	>80 Ra	>90 Ra
Cap Base:	S14d	S14d
Dimmable:	YES	YES
Rated Lifetime:	25000 hours	20000 hours
Energy Efficiency Label:	A	B



Installation

IMPORTANT

Installation of this wall mounted lamp should be performed by a licensed electrician. Plugs and screws for mounting the lamp are not included.

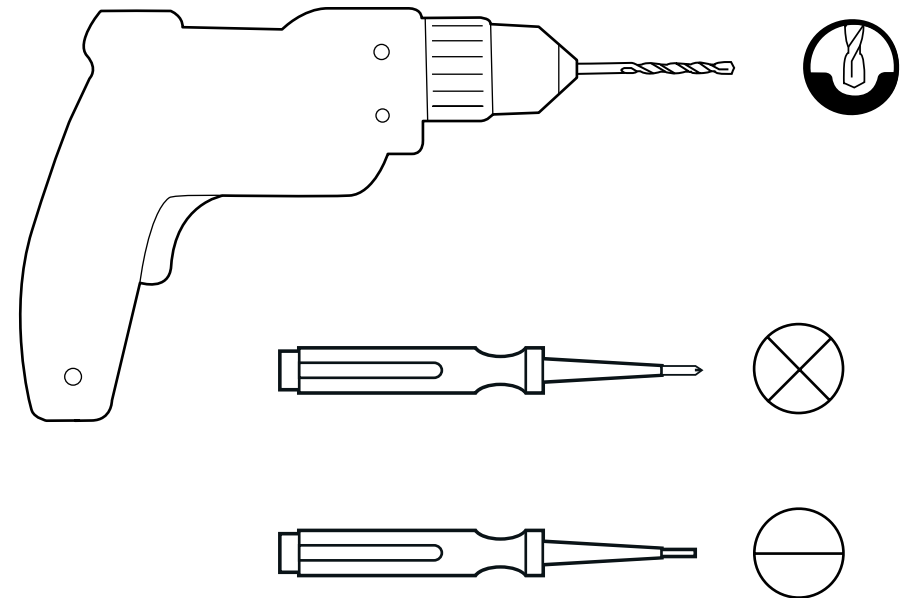
Ingress Protection: IP20 [this lamp is not moisture or water resistant].

Clean using a dry or damp cloth. Do not soak or immerse in water.

TOOLS & PREPARATIONS:

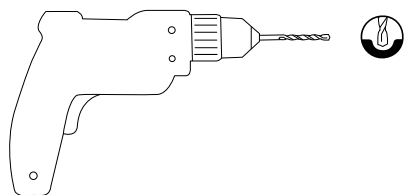
Before starting, turn off main power. Keep all of the included components, tools and screws within arms reach of installation area.

Icons below are used to indicate the necessary tools for each step.





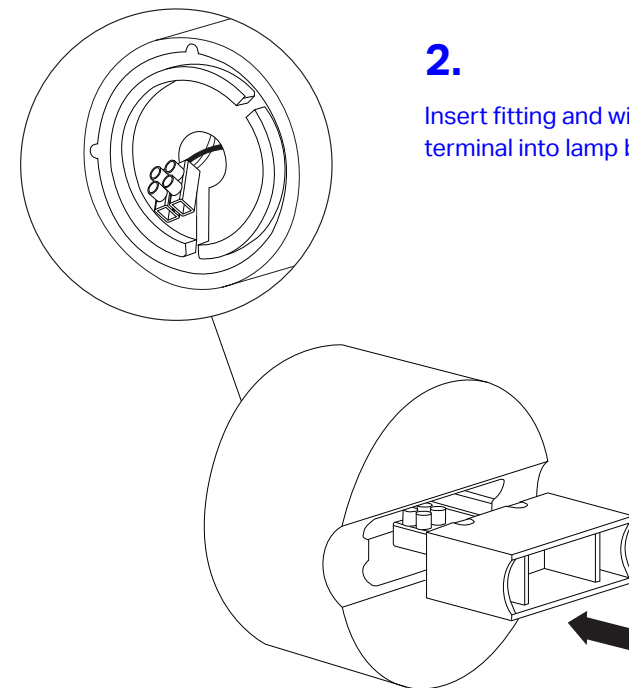
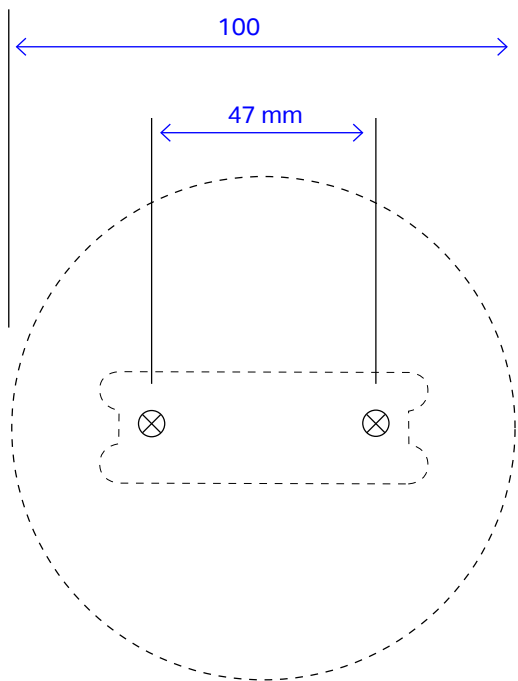
**BEFORE STARTING,
TURN OFF MAIN POWER.**



1.

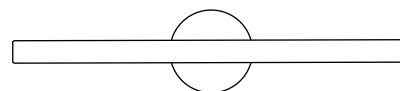
Drill two holes 47 mm apart. Orientation of holes is similar to orientation of the lamp; horizontal spacing of holes for a horizontal mount, vertical spacing for vertical mount.

[make sure to use the appropriate plugs - not included]

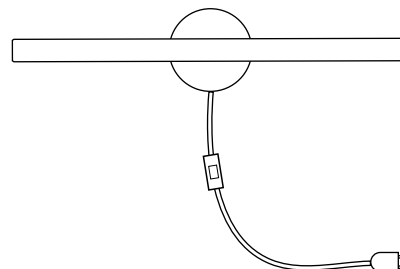


2.

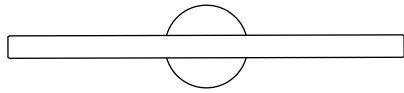
Insert fitting and wire terminal into lamp body



> page 10



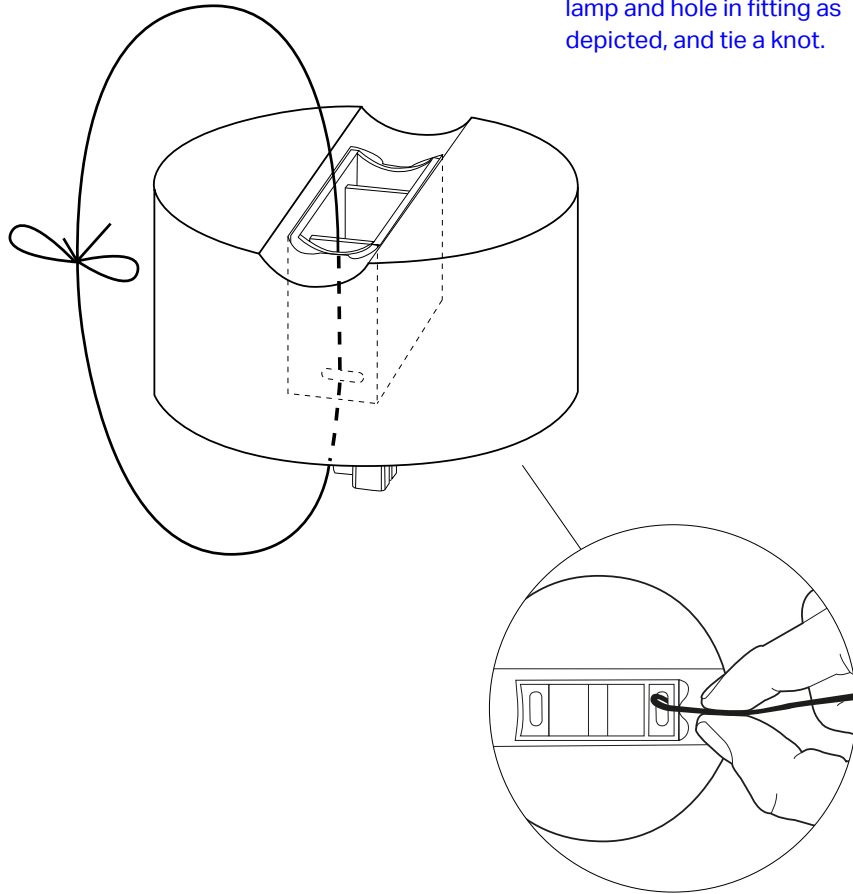
> page 16



Hard wire mounted:

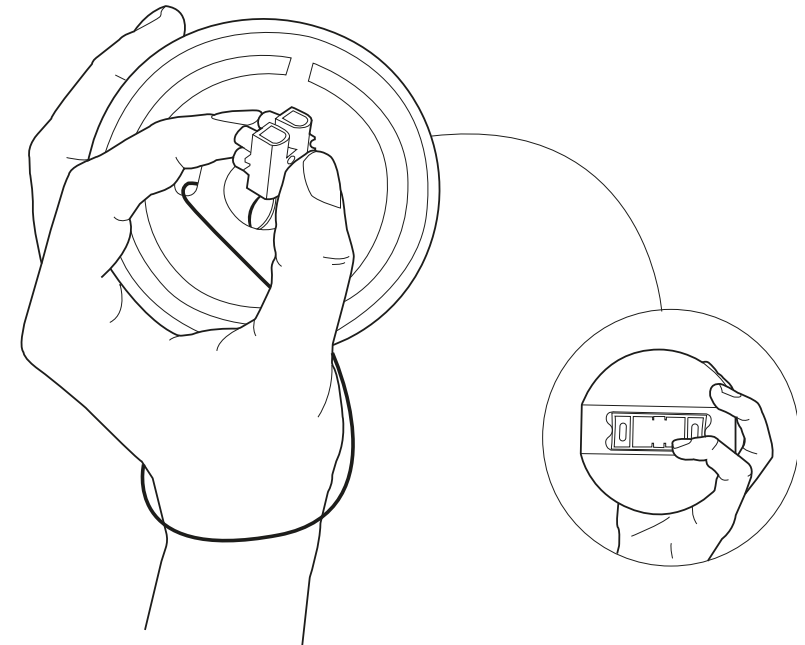
3.

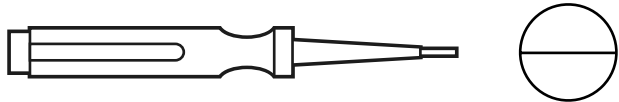
Loop safety cord through lamp and hole in fitting as depicted, and tie a knot.



4.

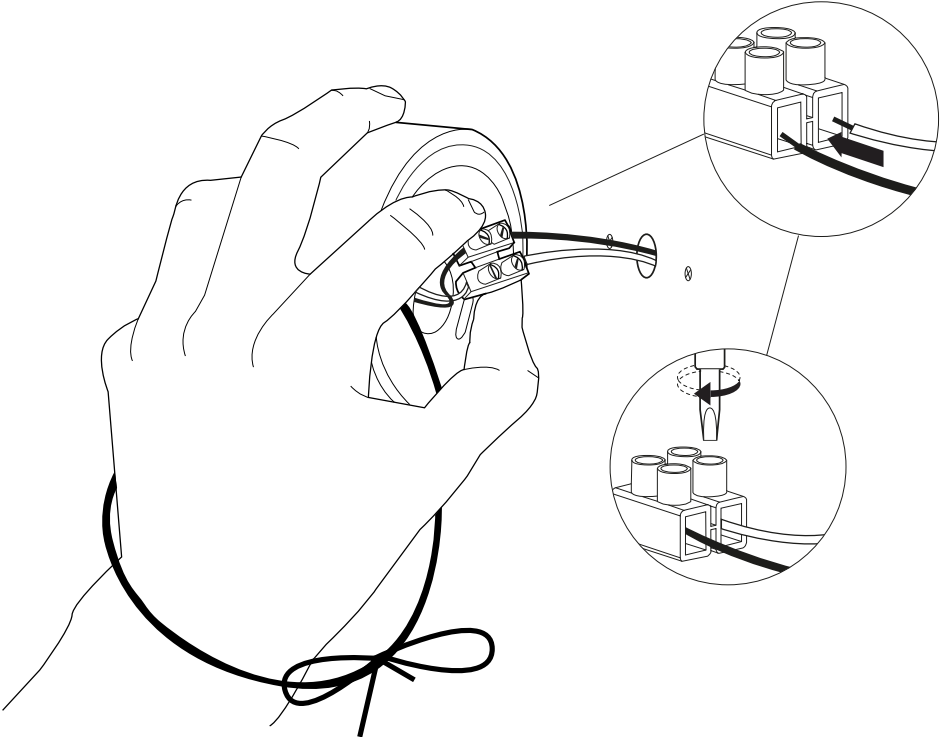
With safety cord around your wrist, hold the lamp in the palm of the hand and grip the wire terminal between thumb and index.





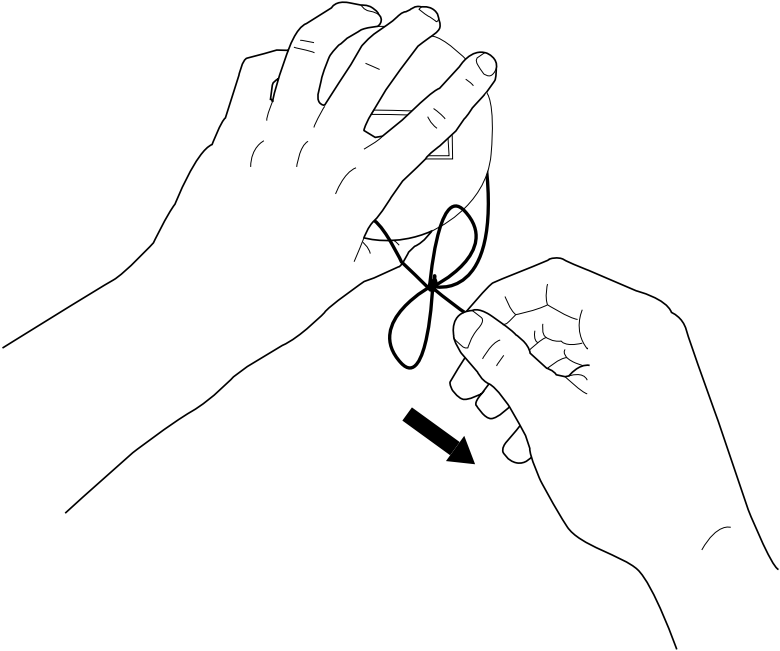
5.

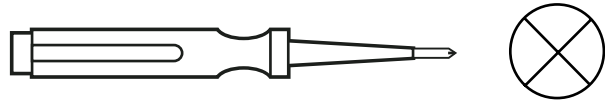
Connect power to wire terminal of the lamp.



6.

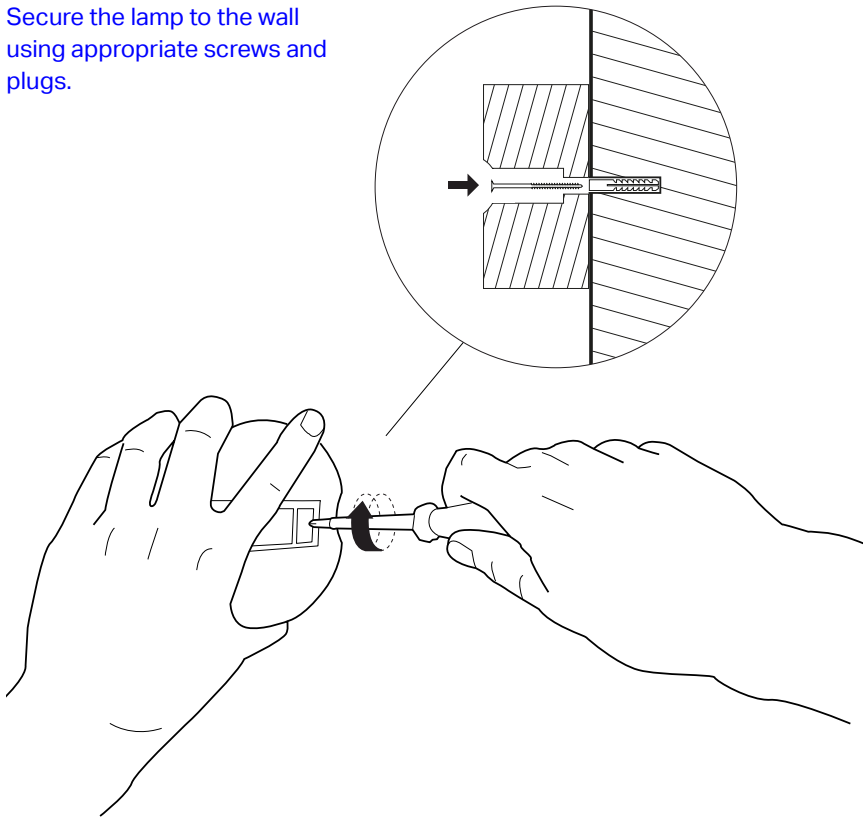
Untie and remove safety cord.





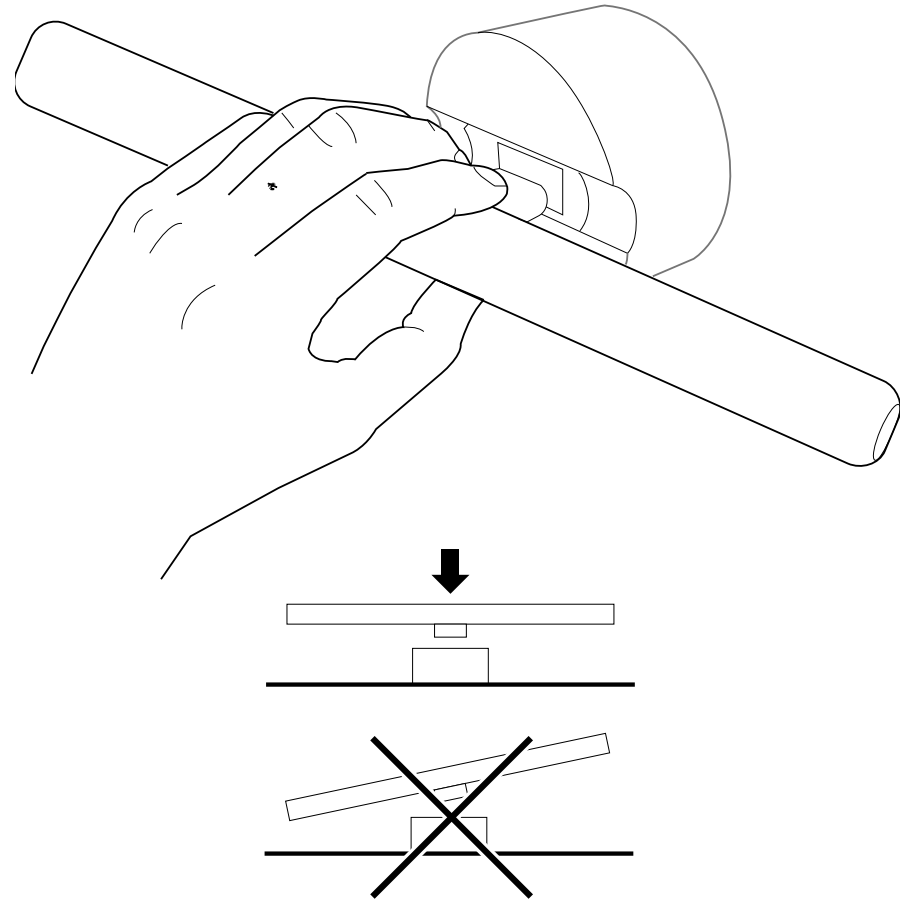
7.

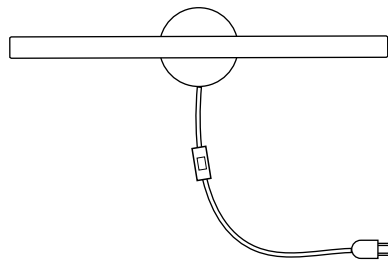
Secure the lamp to the wall using appropriate screws and plugs.



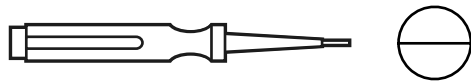
FINAL STEP

Carefully insert light into fitting by pushing from the center. Make sure to push perpendicular to the light.



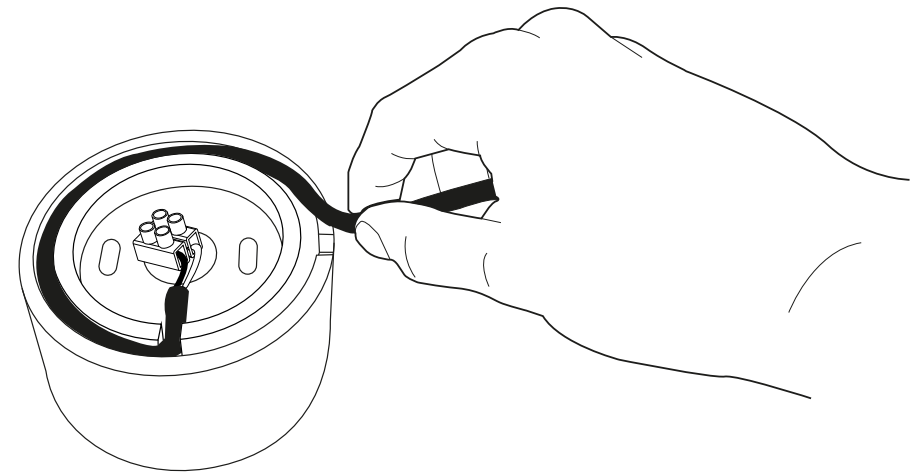
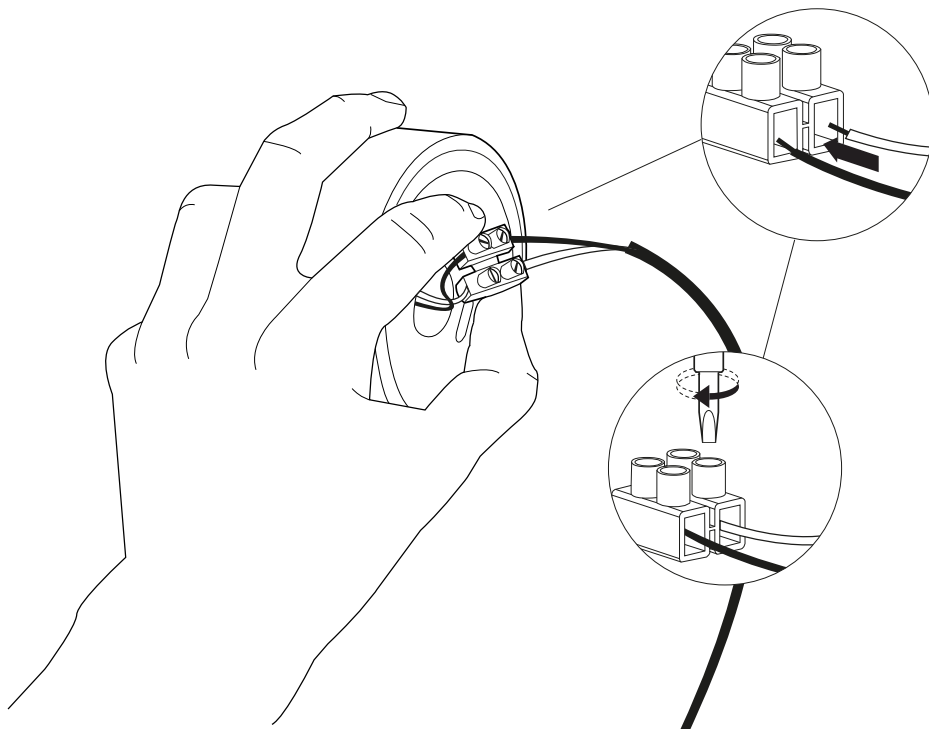


Assembly with cable:



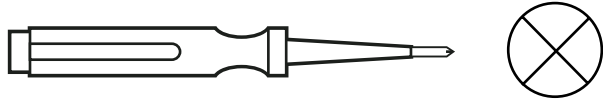
3.

Connect cable to wire terminal of the lamp



4.

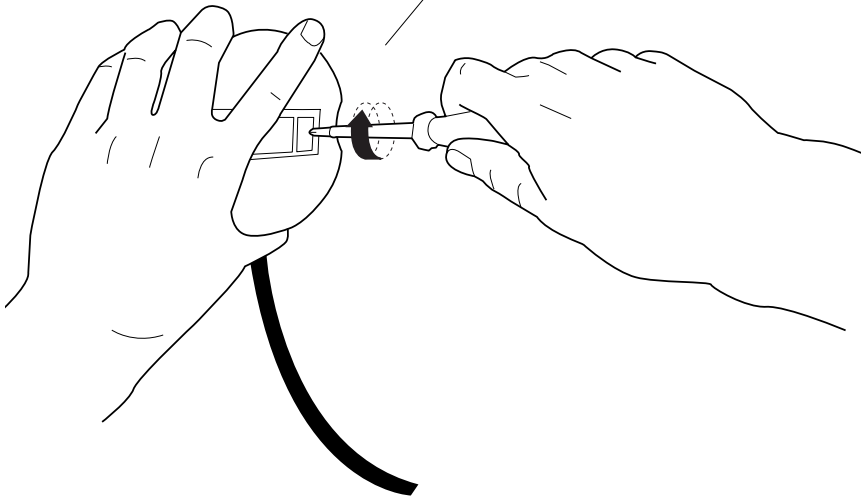
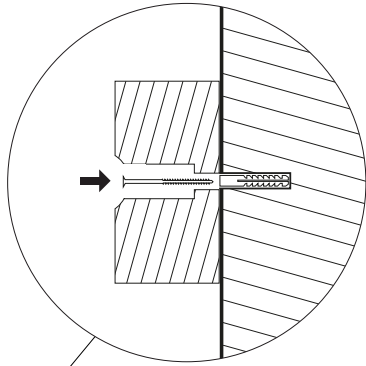
Guide the cable into and through the circular channel, and through the gap. Make sure the cable makes at least half a circle (otherwise make it go round the other way).



STEP 5.

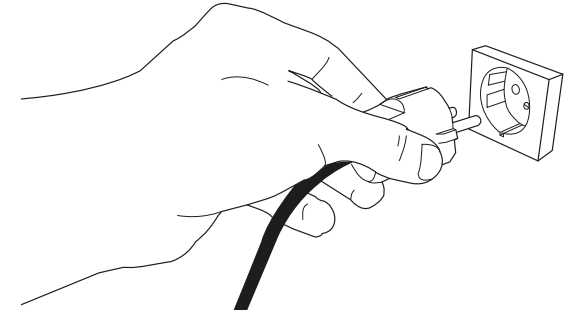
Secure the lamp to the wall using the appropriate screws and plugs.

[screws and plugs not included].



5.a

Plug power cord into wall outlet.

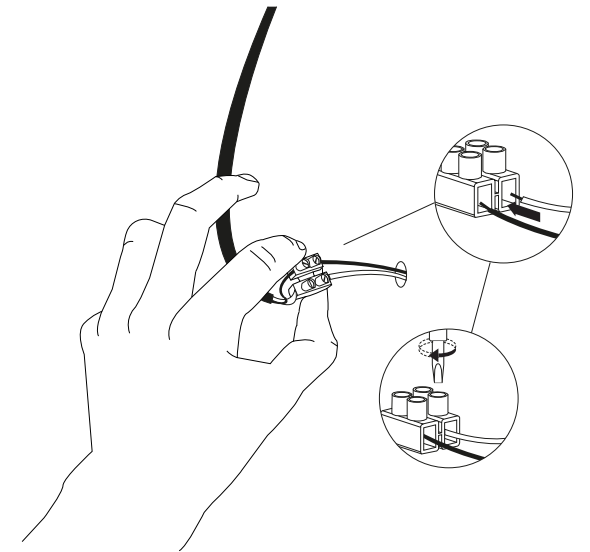


OR



5.b

Connect to power from wall outlet.



FINAL STEP

Carefully insert light into fitting by pushing from the center. Make sure to push perpendicular to the light.

