

INSTALLATION MANUAL

Thanks for choosing Recast.

Since we've pre-assembled the lamps, installing them is done in a few simple steps.

Please have an electrician do the electrical installation part.

Design by HeijltjesAkkaya

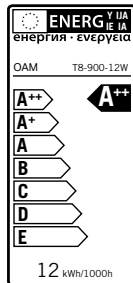
Notice: If you encounter anything unusual during the installation, or if the item differs from the description in this manual, we recommend to stop the installation process and contact us directly.

## OBJECT AND MOMENTUM

### Object and Momentum B.V.

Keerpunt 10, 1013 DK  
Amsterdam, the Netherlands

tel +31 20 261 76 68  
email [info@objectandmomentum.com](mailto:info@objectandmomentum.com)  
web [www.analogue.nl](http://www.analogue.nl)



Product: LED bulb pendant luminary  
Model / Type: Recast pendant lighting /2021.1  
Power: 220-240 V  
Production year: 2021

2014/35/EU - Low voltage directive  
2014/30/EU - Electromagnetic compatibility  
2011/65/EU - RoHS



RoHS

## Instructions

### IMPORTANT

Installation should be performed by a licensed electrician. Plugs and screws for mounting the lamp are not included.

Ingress Protection: IP20 [this lamp is not moisture or water resistant].

Clean using a dry or damp cloth. Do not soak or immerse in water.

### TOOLS & PREPARATIONS

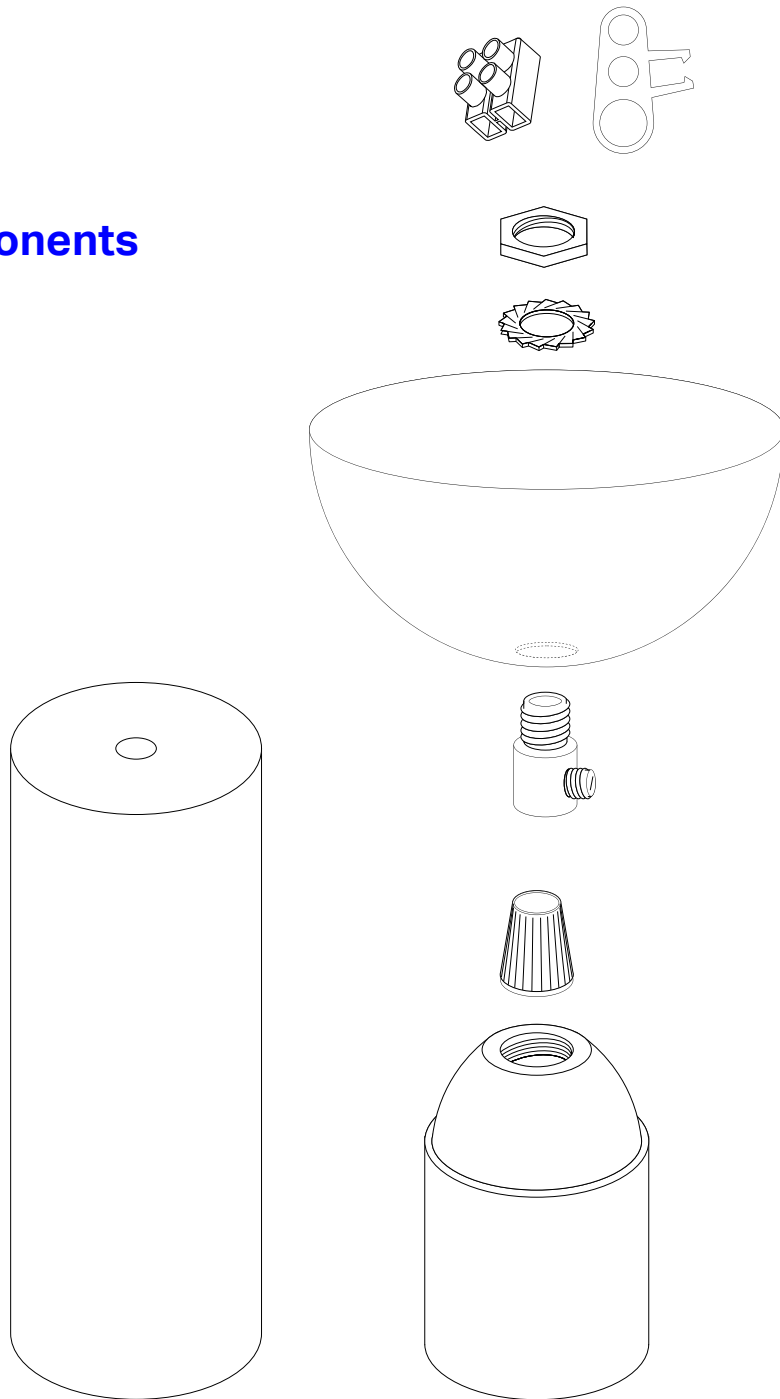
Keep all of the included components, tools and screws within arms reach of installation area.

Icons below are used to indicate the necessary tools for each step.



**BEFORE STARTING,  
TURN OFF MAIN POWER.**

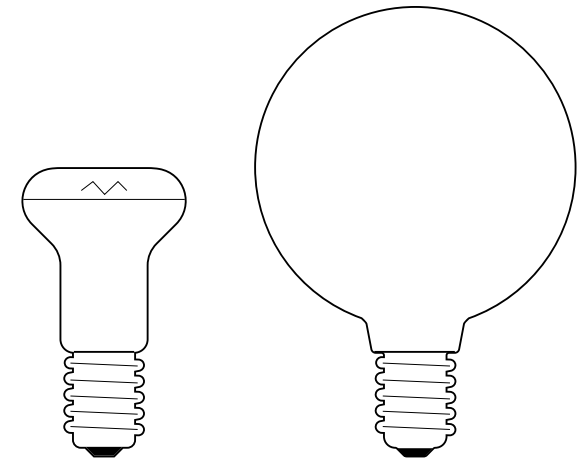
## Components



6

## LED light source

|                          | LED SPOT    | GLOBE         |
|--------------------------|-------------|---------------|
| Glass Finish:            | OPAL glass  | FROSTED glass |
| LED cap base:            | E14         | E27           |
| Power consumption:       | 4 W         | 35 W          |
| Voltage:                 | 220-240 V   | 220-240 V     |
| Luminous flux:           | 250 lm      | 400 lm        |
| Length:                  | 135 mm      | 84 mm         |
| Diameter:                | 9 mm        | 50 mm         |
| Color Temperature:       | 2500K       | 2500K         |
| Color Rendering Index:   | >90 Ra      | >90 Ra        |
| Dimmable:                | YES         | YES           |
| Rated Lifetime:          | 25000 hours | 25000 hours   |
| Energy Efficiency Label: | A+          | A+            |



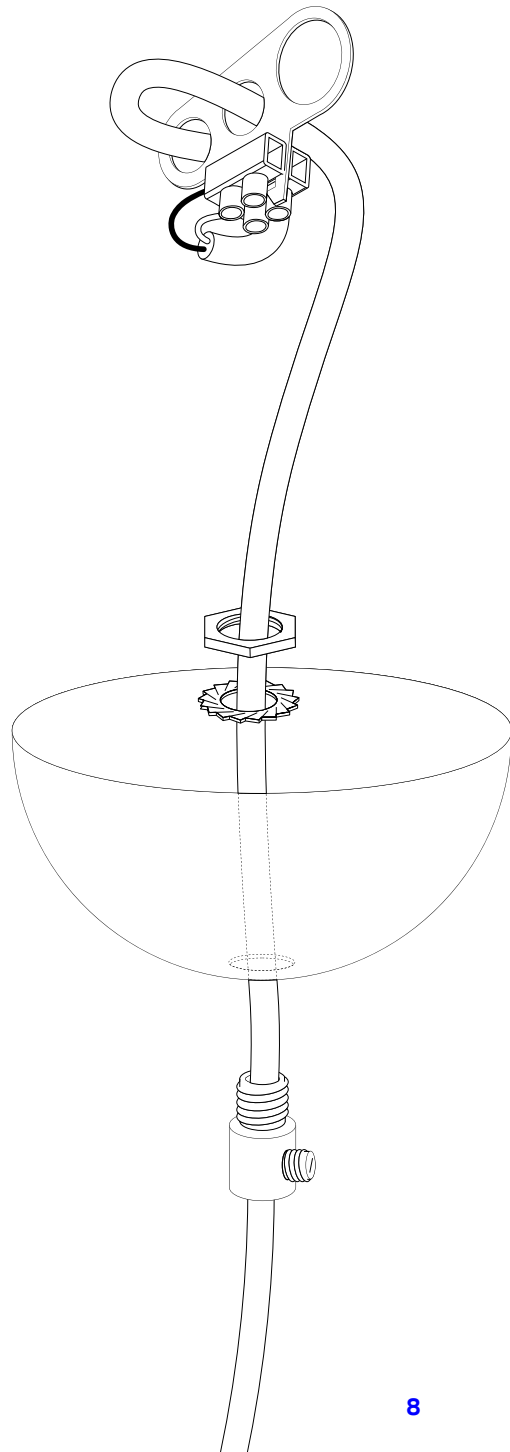
7

**1.**

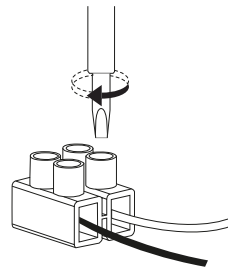
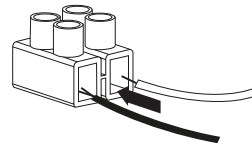
OPTIONAL:

To adjust the height of the fixture, strip the power cord to preferred length and connect to terminal.

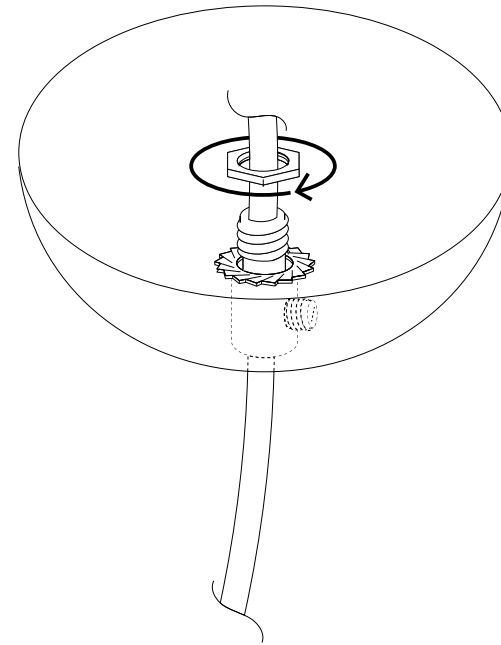
! Always guide the power cord through both smaller holes before connecting to terminal.



8

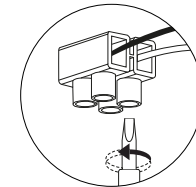
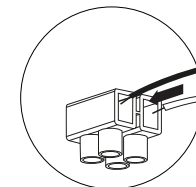
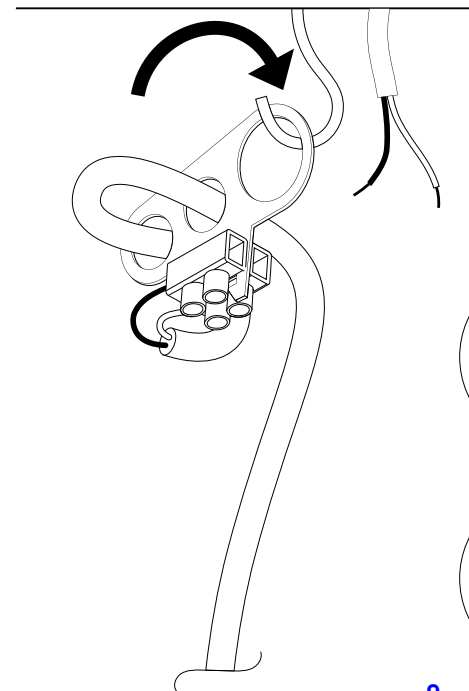
**2.**

Fasten canopy to the pull relief by screwing nut and washer over the threaded end of the pull relief.

**3.**

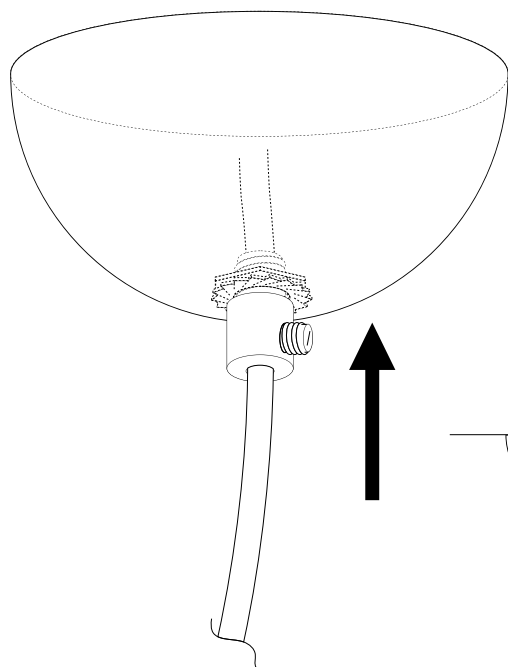
Hang larger hole to ceiling hook to fix the lamp.

Now connect wire terminal to power.



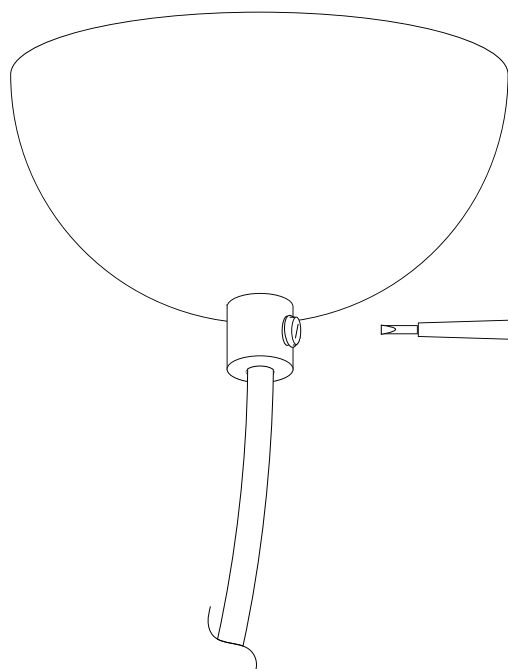
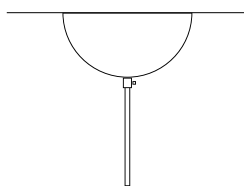
9

## RECAST (PENDANT)



**4.**

Push canopy tight up the ceiling.



**5.**

Gently but firmly screw the translucent pullrelief-screw to fix the cord and canopy.