



A SIMPLE MACHINE



Introducing momentum into static environments with human powered work furniture. A Simple Machine combines ergonomics and engineering to promote physical activity. Its pulleys, weights and levers, powered by human energy, enable a new working rhythm.



A SIMPLE MACHINE

OUR STOOL



Frame: Powder coated steel
Vertical: Steel thread
Seat: Solid oak

Custom size, material & finish on request.

A Simple Machine - Stool

The Stool is a complementary object to use as a seat for the Counterweight or Gas Spring Table, or for any other table or working surface.

Archetypical in shape, even somewhat spartan in appearance, the Stool is designed for an active posture and regular switching between sitting and standing. Changing height is done by simply turning the seat.

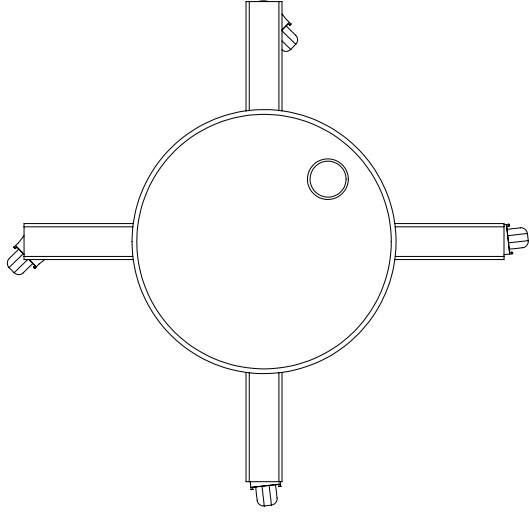
Constructed from a single steel profile.



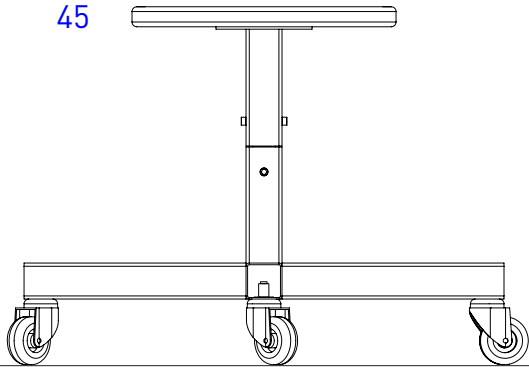


A SIMPLE MACHINE

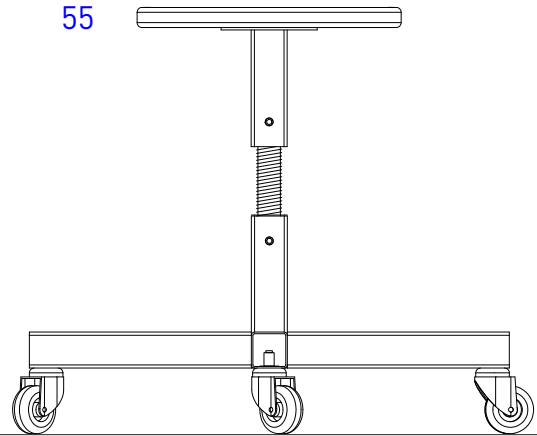
HOUR STOOL



45









55



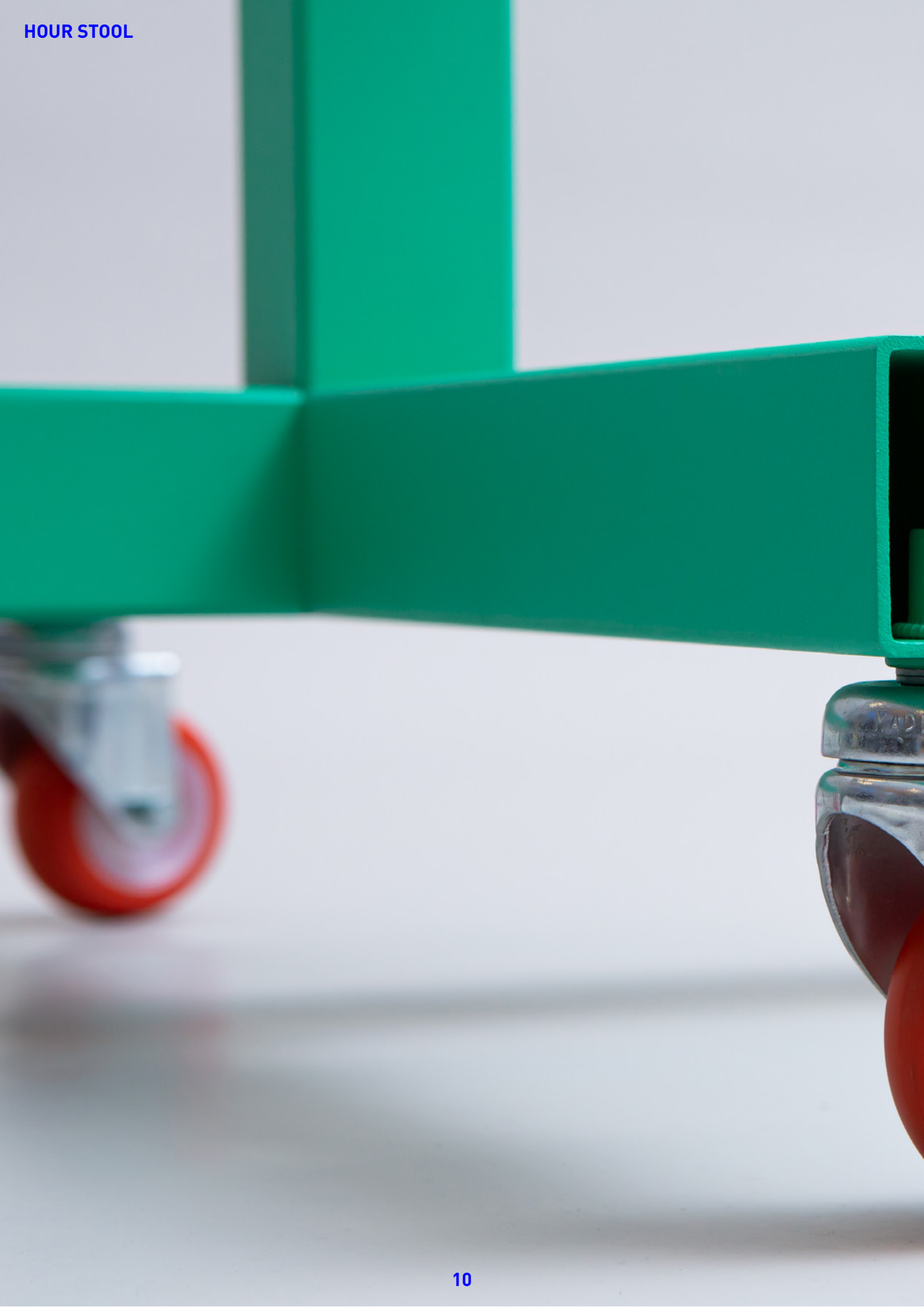
Mechanism: Threaded screw
Height Range: 45 - 55 cm
Sizes: 60cm x 60cm

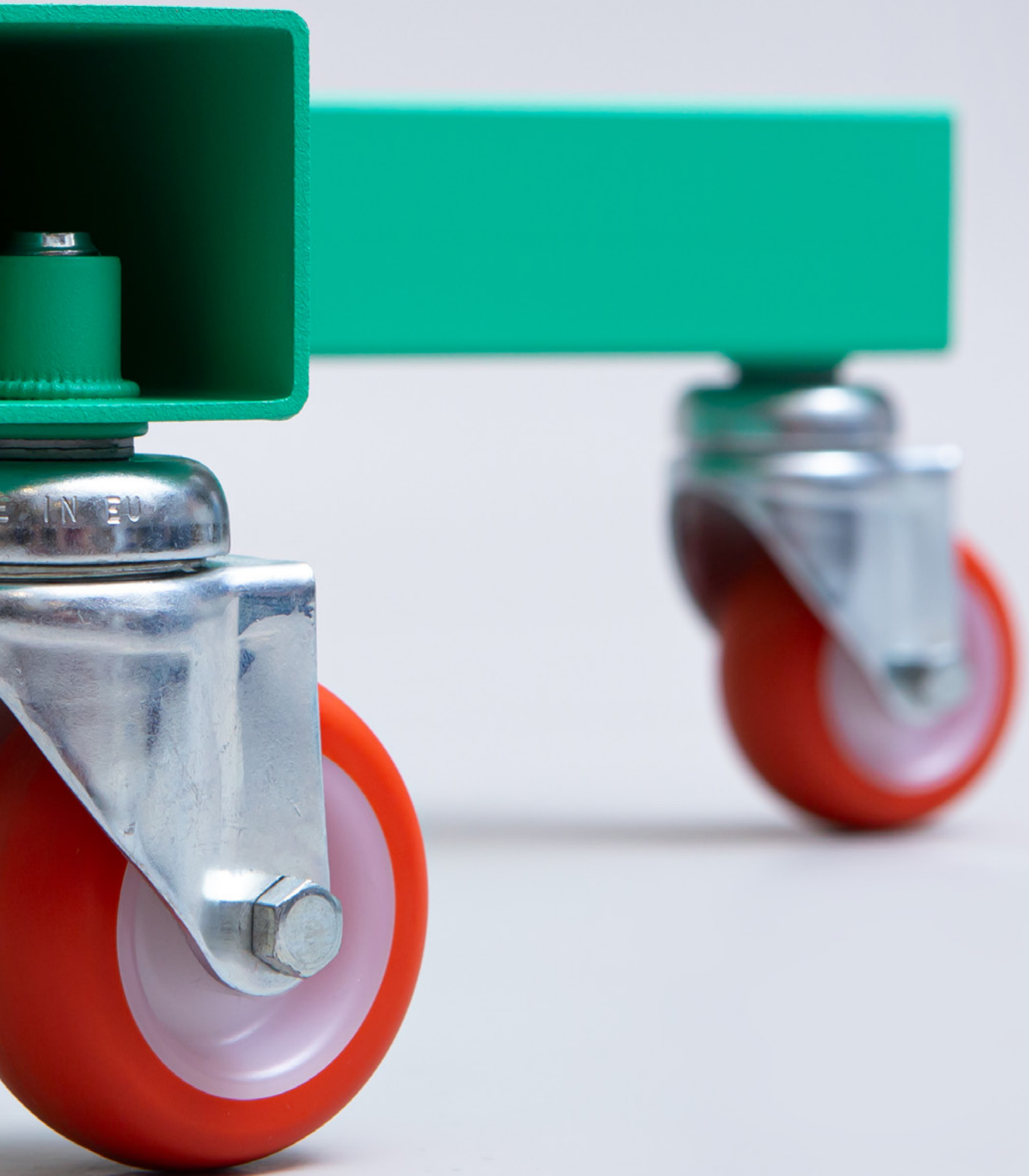
Custom sizes on request.

Colour options

Frame (fine texture powder coat):	Green	
	Black	
	Sand	
	White	
Seat:	Ash	
	Oak	

Custom colours on request.





A SIMPLE MACHINE



analogue®